

ATK COMÉRCIO DE INFORMÁTICA EIRELI

CNPJ: 24.438.705/0001-53

ENDEREÇO: RUA PASTOR QUAST, 155 - CENTRO - SÃO BENTO DO SUL - SC - 89280-055

FONE: 47 3059-1833 47 99105-7860

Email: atkequipamentos@gmail.com

PROPOSTA DE PREÇO

Pregão n. 018/2018

Processo n. CI/TRT3/DTIC/203/2017/e-PAD 38565/2018

LICITANTE:	ATK COMÉRCIO DE INFORMÁTICA EIRELI		
Endereço:	Rua Pastor Quast, 155		
Bairro:	Centro	Cidade:	São Bento do Sul UF: SC
CEP:	89280-055	Tel/Fax:	47 3633-0947 / 99105-7860
CNPJ:	24.438.705/0001-53		
I.E:	258186682		

Dados

Bancários:

Banco	- Civia SCRCRED / 085	Agência Nº:	0112-0	Conta	
Nome/Nº:				Corrente	24563-1
				Nº:	

Dados Adicionais:

Responsável pela Assinatura da Ata de Registro de Preço:

Nome:	Tania Maria Trafca	Cargo/Função:	Sócio Diretor
Estado Civil:	Casada	RG Nº:	3.610.403
Telefone/Fax:	47 3633-0947 / 99105-7860	E-mail:	atkequipamentos@gmail.com

A presente proposta destina-se ao Registro de Preços dos itens abaixo discriminados, para eventuais e futuros fornecimentos, de acordo com as especificações constantes do presente edital.

Prazo de entrega: conforme edital.

Validade da Proposta: 120 (cento e vinte) dias.



ATK COMÉRCIO DE INFORMÁTICA EIRELI

CNPJ: 24.438.705/0001-53

ENDEREÇO: RUA PASTOR QUAST, 155 - CENTRO - SÃO BENTO DO SUL – SC - 89280-055

FONE: 47 3059-1833 47 99105-7860

Email: atkequipamentos@gmail.com

Item	Descrição do Material	Qtde.	Valor Unitário	Valor Total
4	<p>Monitor 29": LG / Modelo: 29WK600-W</p> <p>Suporte Monitor: Brasforma / Modelo: SBRM710</p> <p>Descrição:</p> <ul style="list-style-type: none">• Tipo de tela LED, tamanho de 29" (vinte e nove polegadas), formato widescreen;• Tela com tratamento anti-reflexivo e antiestático;• Suporte a 16,7 milhões de cores;• Resolução de 1600 X 900 pontos na frequência de atualização de 60 Hz, ou superior;• Taxa de contraste estático de 1.000:1 ou superior;• Capacidade de brilho de 250 cd/m² ou superior;• Tempo de resposta máximo de 5 ms;• Fonte de alimentação interna com comutação automática 100/220V;• Ajustes de altura da tela e de inclinação da tela na base;• Cor predominante preta, cinza, grafite ou prata;• Conector HDMI ou DVI-D ou Display Port, devidamente acompanhado dos respectivos cabos;• Devem acompanhar: cabos e acessórios necessários ao perfeito funcionamento do aparelho / manual / guia de instalação / guia de operação. <p>Link monitor: https://www.lg.com/br/monitores/lg-29WK600-W</p> <p>Link Suporte: https://brasforma.com.br/pt/product/suporte-articulado-para-monitor-led-e-lcd-de-13-32-brasforma-sbrm-710/</p>	4	R\$ 1.949,00	R\$ 7.796,00
Valores totais em Reais (R\$)				R\$ 7.796,00

Nos preços propostos acima estão incluídos, além do lucro, todas as despesas e custos, como por exemplo: transportes, tributos de qualquer natureza e todas as despesas, diretas ou indiretas, relacionadas com o objeto da presente licitação.

ATK COMÉRCIO DE INFORMÁTICA EIRELI

CNPJ: 24.438.705/0001-53

ENDEREÇO: RUA PASTOR QUAST, 155 - CENTRO - SÃO BENTO DO SUL - SC - 89280-055

FONE: 47 3059-1833 47 99105-7860

Email: atkequipamentos@gmail.com



São Bento do Sul, SC, 27 de maio de 2019.

Tania Maria Trafca – RG 3.610.403
SÓCIO DIRETOR

24 438 705/0001-53
ATK COMÉRCIO DE
INFORMÁTICA EIRELI
RUA PASTOR QUAST, 155
CENTRO - CEP 89280-055
SÃO BENTO DO SUL - SANTA CATARINA



29WK600-W

29" 21:9 IPS HDR WFHD Monitor

29" 21:9 WFHD (2560x1080) IPS Display

HDR10

sRGB 99%

AMD FreeSync™ Technology

3-Side Borderless Design

Tilt Adjustable Stand



PICTURE QUALITY

Screen Size	29"
Panel Type	IPS
Color Gamut (CIE1931)	sRGB 99% (Typ)
Color Depth(Number of Colors)	8bits(6bit+FRC), 16.7M
Pixel Pitch(mm)	0.2628x0.2628
Response Time (GTG)	5ms (High)
Aspect Ratio	21:9
Resolution	2560x1080
Brightness	300(Typ), 240(min) cd/m2
Contrast Ratio	1000:1 (Typ)
Viewing Angle	178/178 (CR≥10)
Surface Treatment	Anti-Glare 3H

INPUT/OUTPUT

HDMI	Yes (ver2.0, 2ea)
DisplayPort	Yes
Headphone Out	Yes

POWER

Type	Adapter
Input	100-240V
Normal On (EPA Typ.)	20.5W
Normal On (factory out condition Typ.)	32W
Power Save/Sleep Mode (Max)	0.5W
DC Off (Max)	0.3W

SPECIAL FEATURES

Picture Mode	(Non HDR Contents) --> Custom, HDR Effect, Reader,Photo, Cinema, Color Weakness, FPS1 Game/FPS2 Game, RTS Game, Custom (Game),
sRGB	
Ratio	Wide, Original, Cinema 1, Cinema 2
PIP	PIP mode in Screen Split
DDC/CI	Yes
HDCP	HDCP2.2 / HDCP1.4
Key Lock	Yes
Plug & Play	Yes
Response Time Control	Yes
Color Calibrated	Yes
Adaptive Sync	AMD FreeSync™
Game Mode	Yes
DAS Mode	Yes
Black Stabilizer	Yes
Dynamic Action Sync	Yes
Crosshair	Yes
Flicker Safe	Yes
Automatic Standby	Yes
Six Axis Control	Yes
Smart Energy Saving	Yes
Reader Mode	Yes
Color Calibrated	Yes
Dual controller	Yes
Screen split2.0 (in OSC)	Yes
4 screen split	
My Display Preset (in OSC)	Yes
On Screen Control (OSC)	Yes
One Click Stand Set-up	Yes
Super Resolution+	Yes
HDR (High Dynamic Range)	HDR 10

SOUND

Speaker	Yes 5W x 2
Audio Tuning	MAXXAUDIO®

DIMENSIONS/WEIGHT

With Stand (WxHxD)	27.5" x 16.2" x 8.2"
Without Stand (WxHxD)	27.5" x 12.5" x 3.0"
Shipping Dimensions (WxHxD)	32.4" x 16.3" x 6.3"
With Stand Weight	11.5 lbs
Without Stand Weight	10.4 lbs
Shipping Weight	16.5 lbs

STAND

Base Detachable	Yes
Tilt(Angle)	-5-15 Degree

CABINET / ACCESSORIES

VESA size (mm)	100 x 100 (VESA compatible)
Power Cord	Yes
HDMI	Yes (White)
S/W Install CD	Yes
Easy Setup Guide	Yes
Manual	Yes

STANDARD

UL(cUL)	Yes
TUV-Type	Yes
FCC-B, CE	Yes
CCC (for China)	Yes
EPA 7.0	Yes
ErP	Yes
Windows 10	Yes

LIMITED WARRANTY / UPC

Limited Warranty	1 Year Parts and Labor
UPC	719192617421
Country of Origin	China



Owner's Manual IPS LED MONITOR (LED MONITOR*)

***LG LED Monitors are LCD Monitors with LED Backlighting.**

Please read the safety information carefully before using the product.

IPS LED Monitor (LED Monitor) Model List

29WK600

34WK650

34BK650

CONTENTS

3 LICENSE

4 ASSEMBLING AND PREPARING

- 4 Product Components
- 5 Supported Drivers and Software
- 6 Component and Button Description
 - 6 - How to Use the Joystick Button
- 7 Input Connector
- 8 Moving and Lifting the Monitor
- 9 Installing the Monitor
 - 9 - Assembling the stand base
- 10 Installing the Monitor
 - 10 - Assembling the stand base
 - 11 - Using the cable holder
 - 12 - Installing onto a table
 - 13 - Adjusting the angle
 - 14 - Adjusting the Stand Height
 - 15 - Using the Kensington lock
 - 16 - Installing the wall mount plate
 - 16 - Installing to a wall

18 USING THE MONITOR

- 18 Connecting to a PC
 - 18 - HDMI connection
 - 18 - DisplayPort connection
- 19 Connecting to AV Devices
 - 19 - HDMI connection
- 19 Connecting to External Devices
 - 19 - Connecting Headphones

20 USER SETTINGS

- 20 Activating the Main Menu
 - 20 - Main Menu Features
- 21 User Settings
 - 21 - Menu Settings

26 TROUBLESHOOTING

28 SPECIFICATIONS

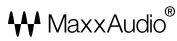
- 28 29WK600
- 29 34WK650/34BK650
- 30 Factory Support Mode (Preset Mode, PC)
- 30 HDMI / DP Timing (PC)
- 30 HDMI Timing (Video)
- 30 Power LED

LICENSE

Each model has different licenses. Visit www.lg.com for more information on the license.



The terms HDMI and HDMI High-Definition Multimedia Interface, and the HDMI Logo are trademarks or registered trademarks of HDMI Licensing Administrator, Inc. in the United States and other countries.



MaxxAudio and additional MAXX trademarks are trademarks and/or registered trademarks of Waves Audio Ltd.

The following content is only applied to the monitor which is sold in Europe market and which needs to meet the ErP Directive:

* This monitor is set to be turned off automatically after 4 hours when you turn on the display and there is no adjustments made to the display.

* To disable this setting, change the option to "Off" in Settings menu of "Automatic Standby".

ASSEMBLING AND PREPARING

Product Components

Please check whether all the components are included in the box before using the product. If there are missing components, contact the retail store where you purchased the product. Note that the product and components may look different from those shown here.



**CD(Owner's Manual) /
Card**



Power Cord
(Depending on the country)



AC-DC Adapter

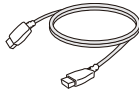
or



AC-DC Adapter
(Depending on the country)



DisplayPort Cable
(This cable is not included
in all countries.)



HDMI Cable
(This cable is not included
in all countries.)

29WK600



Stand Body



Stand Base



Screw Cover



2 Screws

34WK650

34BK650



Stand Body



Stand Base



Cable Holder



CAUTION

- Always use genuine components to ensure safety and product performance.
- The product warranty will not cover damage or injury caused by the use of counterfeit components.
- It is recommend that use the supplied components.
- If you use generic cables not certified by LG, the screen may not display or there may be image noises.



NOTE

- Note that the components may look different from those shown here.
- Without prior notice, all information and specifications in this manual are subject to change to improve the performance of the product.
- To purchase optional accessories, visit an electronics store or online shopping site or contact the retail store where you purchased the product.

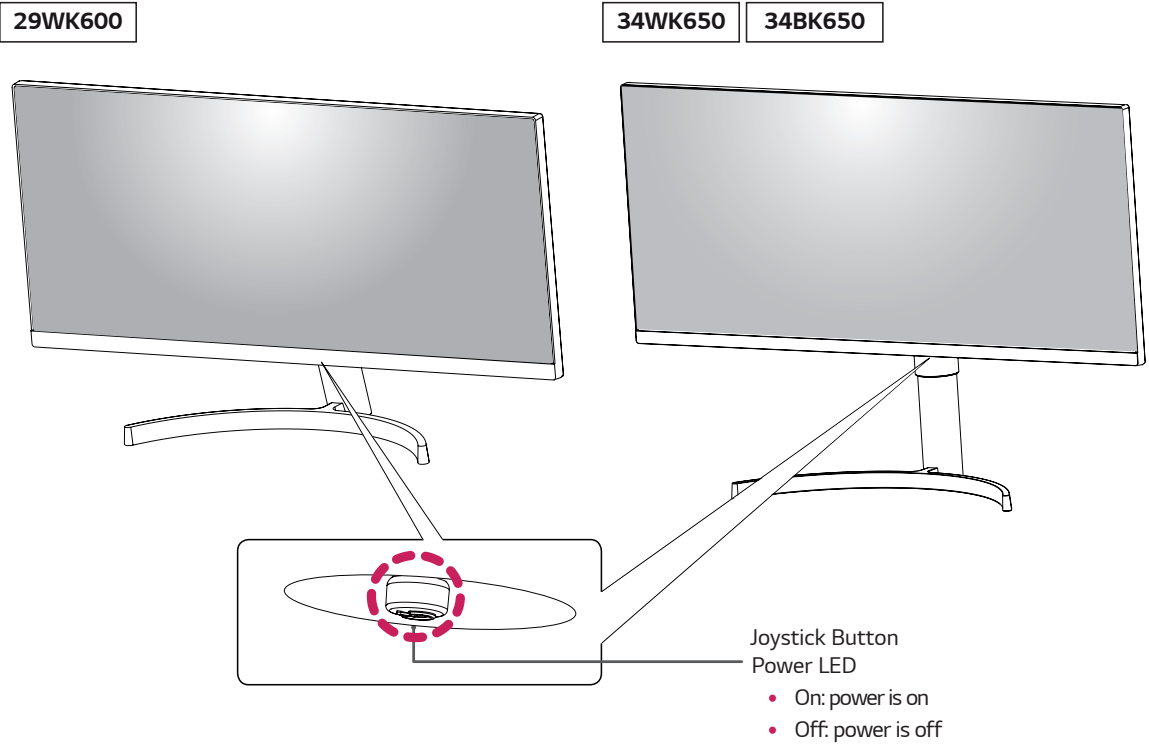
Supported Drivers and Software

Check the drivers and software supported by your product and refer to the manuals on the CD enclosed in the product package.

Drivers and Software	Installation Priority	29WK600/34WK650/34BK650
Monitor Driver	Recommended	0
OnScreen Control	Recommended	0
Dual Controller	Optional	0

- Required and Recommended: You can download and install the latest version from the enclosed CD or from the LGE website (www.lg.com).
- Optional: You can download and install the latest version from the LGE website (www.lg.com).

Component and Button Description



How to Use the Joystick Button

You can easily control the functions of the monitor by pressing the joystick button or moving it left/right with your finger.

Basic Functions

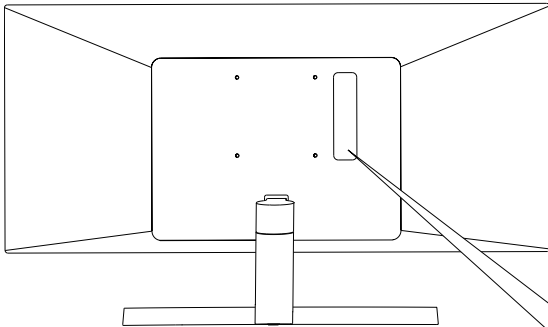
		Power on	Press the joystick button once with your finger to turn on the monitor.
		Power off	Press and hold the joystick button once with your finger to turn off the monitor.
		Volume Control	You can control the volume by moving the joystick button left/right.

NOTE

- The joystick button is located at the bottom of the monitor.

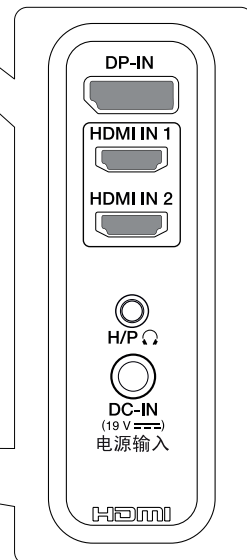
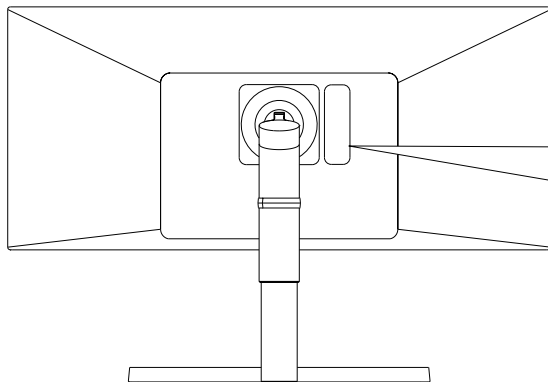
Input Connector

29WK600



34WK650

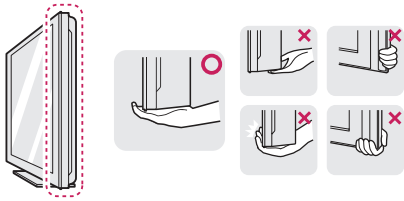
34BK650



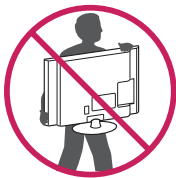
Moving and Lifting the Monitor

When moving or lifting the monitor, follow these instructions to prevent the monitor from being scratched or damaged and to ensure safe transportation regardless of its shape or size.

- It is advisable to place the monitor in the original box or packing material before attempting to move it.
- Before moving or lifting the monitor, disconnect the power cord and all cables.
- Hold the top and bottom of the monitor frame firmly. Do not hold the screen itself.



- When holding the monitor, the screen should face away from you to prevent it being scratched.



- When moving the monitor, avoid any strong shock or vibrations to the product.
- When moving the monitor, keep it upright, never turn the monitor on its side or tilt it sideways.

CAUTION

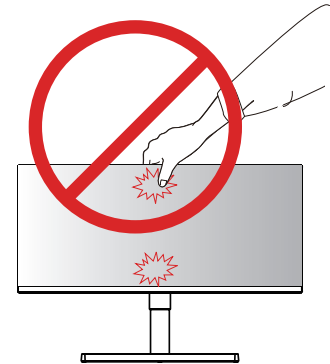
- As far as possible, avoid touching the monitor screen. This may result in damage to the screen or some of the pixels used to create images.

29WK600

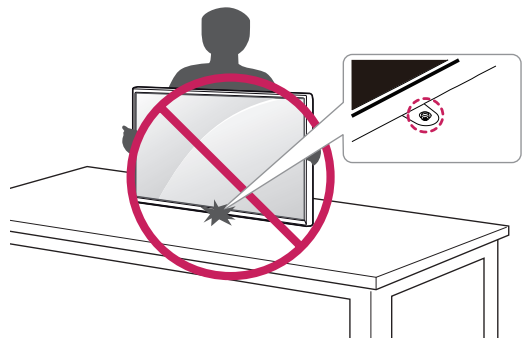


34WK650

34BK650



- If you use the monitor panel without the stand base, its joystick button may cause the monitor to become unstable and fall, resulting in damage to the monitor or human injury. In addition, this may cause the joystick button to malfunction.

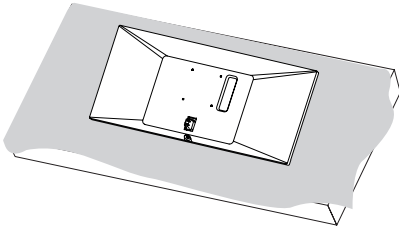


Installing the Monitor

Assembling the stand base

29WK600

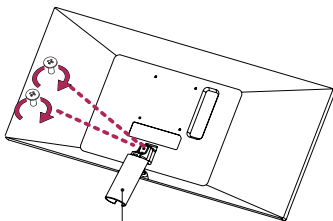
1



CAUTION

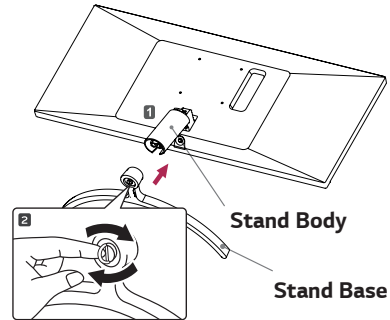
- To protect the screen from scratches, cover the surface with a soft cloth.

2



Stand Body

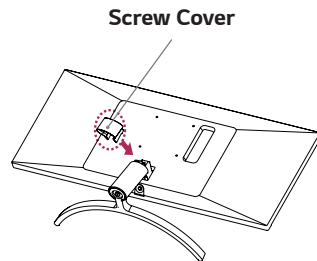
3



Stand Body

Stand Base

4



Screw Cover



CAUTION

Applying excessive force when tightening the screws may cause damage to the monitor. Damage caused in this way will not be covered by the product warranty.



CAUTION

Be careful not to drop the stand. It may fall and hurt your foot.



NOTE

- You can disassemble the stand in the reverse order of the assembly.

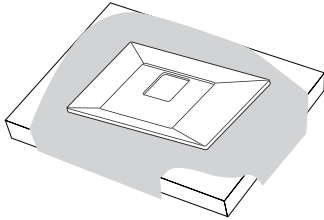
Installing the Monitor

Assembling the stand base

34WK650

34BK650

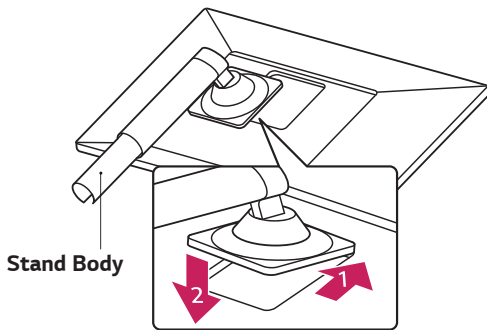
1



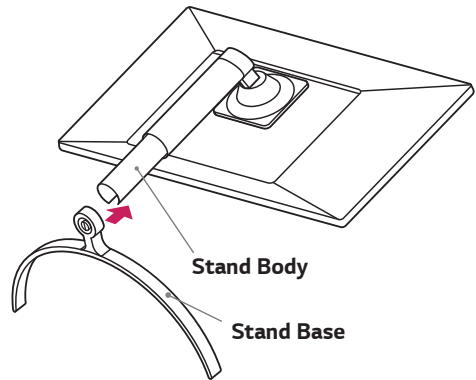
CAUTION

- To protect the screen from scratches, cover the surface with a soft cloth.

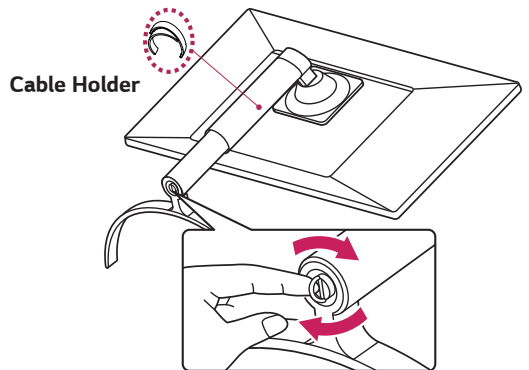
2



3

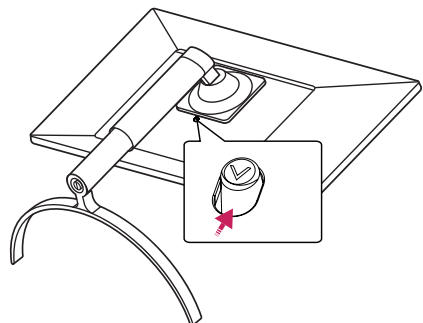


4



NOTE

- Press the stand until the button reaches the top.



**CAUTION**

- Illustrations in this document represent typical procedures, so they may look different from the actual product.
- Do not carry the monitor upside down by just holding the stand base. This may cause the monitor to fall off the stand and could result in personal injury.
- When lifting or moving the monitor, do not touch the monitor screen. The force applied to the monitor screen may cause damage to it.
- Do not apply foreign substances (oils, lubricants, etc.) to the screw parts when assembling the product. (Doing so may damage the product.)
- Applying excessive force when tightening screws may cause damage to the monitor. Damage caused in this way will not be covered by the product warranty.

**NOTE**

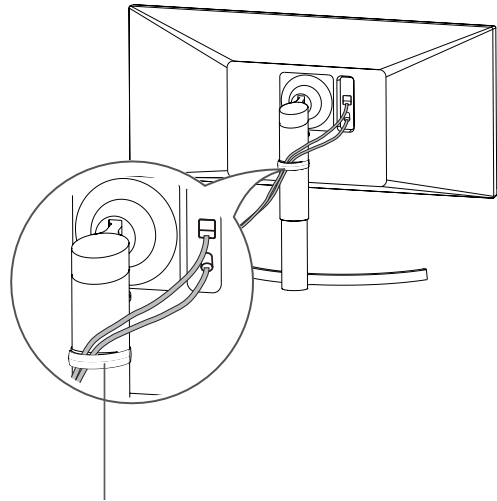
- You can disassemble the stand in the reverse order of the assembly.

Using the cable holder

Arrange the cables using the cable holder as shown in the illustration.

34WK650

34BK650

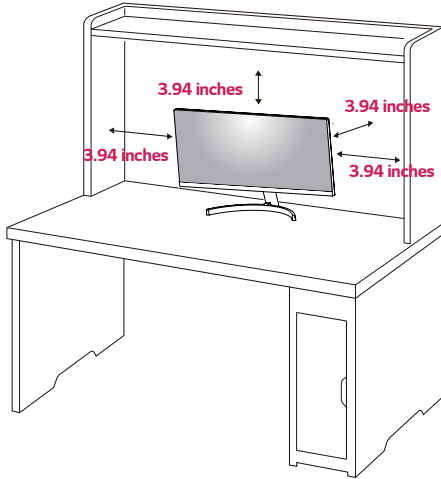
**Cable Holder**

Installing onto a table

- 1 Lift the monitor and place it on the table in an upright position.

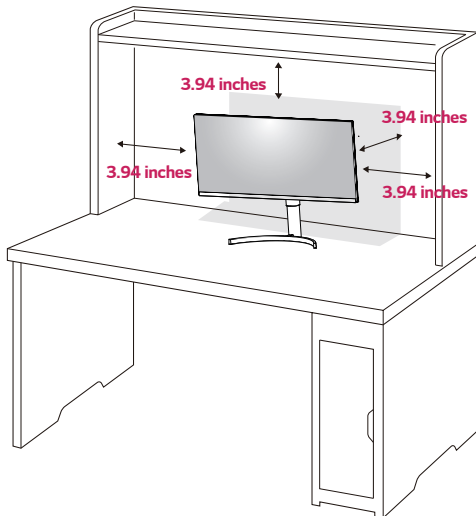
Place at least **3.94 inches** away from the wall to ensure sufficient ventilation.

29WK600



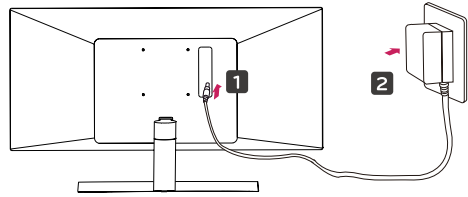
34WK650

34BK650

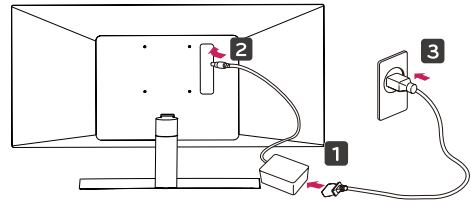


- 2 Connect the Power cord to the monitor, then plug the power cord into the wall outlet.

29WK600

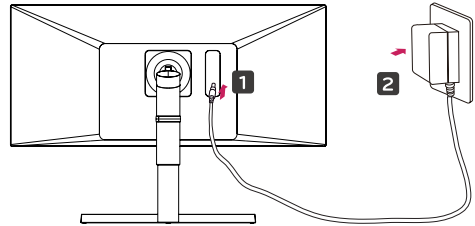


or

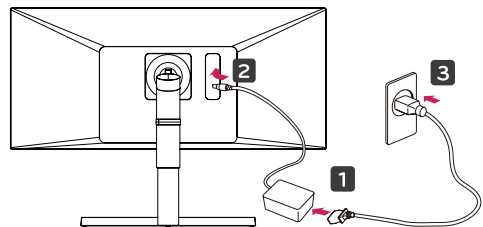


34WK650

34BK650



or

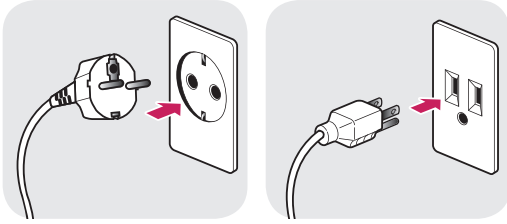


- 3 Press the joystick button on the bottom of the monitor to turn on the monitor.

⚠ CAUTION

- Unplug the power cord prior to moving or installing the monitor. There is risk of electric shock.

Cautions When Connecting Power Cord



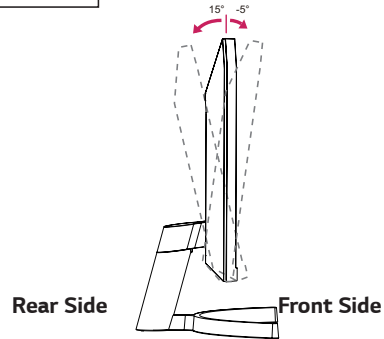
100-240 V ~

- Make sure to use the power cord that is provided in the product package and connect it to a grounded power outlet.
- If you need another power cord, please contact your local dealer or the nearest retail store.

Adjusting the angle

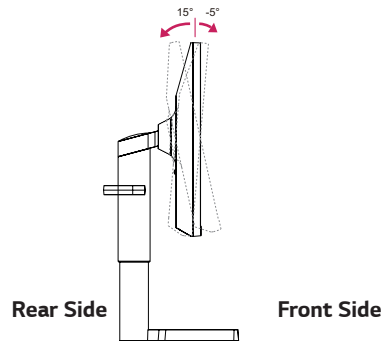
- 1 Place the monitor in an upright position, mounted on the stand base.
- 2 Adjust the angle of the screen. The angle of the screen can be adjusted forwards or backwards for a comfortable viewing experience.

29WK600



34WK650

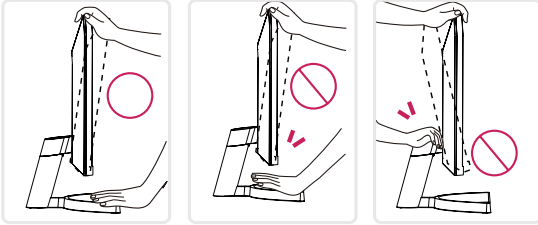
34BK650



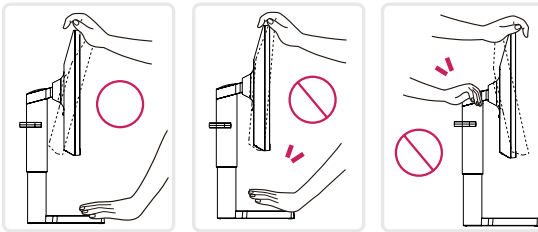
! WARNING

- To avoid injury to the fingers when adjusting the screen, do not hold the lower part of the monitor's frame as illustrated below.

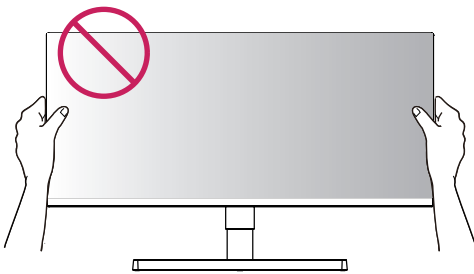
29WK600



34WK650 34BK650



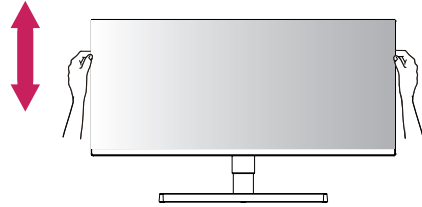
- Be careful not to touch or press the screen area when adjusting the angle of the monitor.



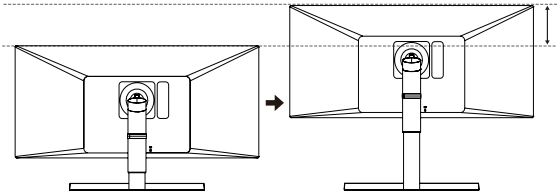
Adjusting the Stand Height

34WK650 34BK650

- 1 Handle the monitor with both hands for safety.

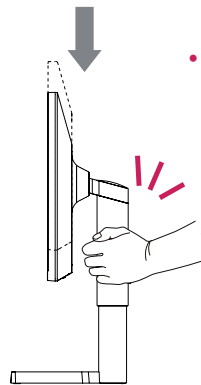


- 2 The height can be adjusted up to **4.33 inches**.



! WARNING

34WK650 34BK650



- When adjusting the screen height, do not place your hand on the stand body to avoid injury to your fingers.

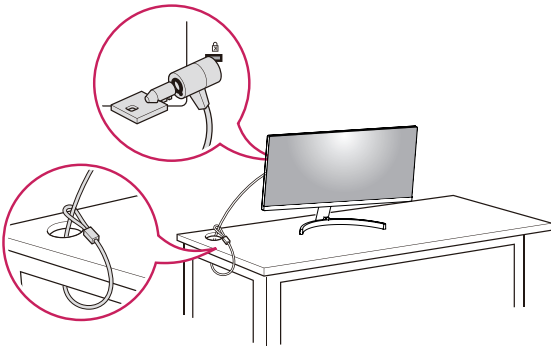
Using the Kensington lock

The Kensington security system connector is located at the back of the Monitor set.

For more information on installation and usage, refer to the Kensington lock user manual or visit the website at <http://www.kensington.com>.

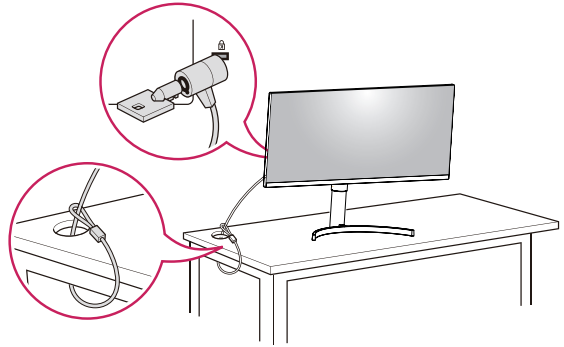
Connect the Kensington security system cable between the Monitor set and a table.

29WK600



34WK650

34BK650



! NOTE

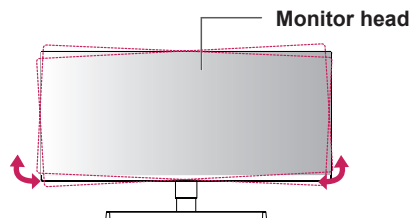
- Use of the Kensington lock is optional. The accessories can be purchased at your local electronics store.

! NOTE

34WK650

34BK650

- The left or right side of the monitor head can be slightly rotated up or down (up to 3°). Adjust the horizontal level of the monitor head.



Installing the wall mount plate

This monitor supports the specification of the standard wall mount plate or compatible device.

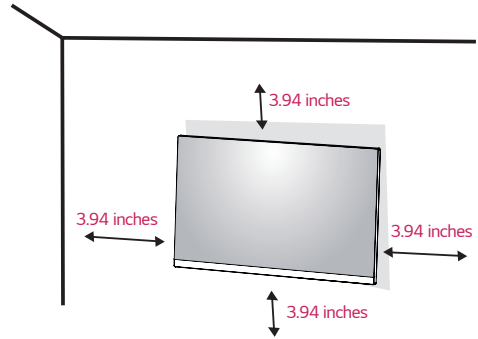
- 1 Place the screen face down. To protect the screen from scratches, cover the surface with a soft cloth.
- 2 Place the wall mount plate onto the monitor and align it with the screw holes.
- 3 Tighten the four screws to fix the plate to the monitor using a screwdriver.

NOTE

- The wall mount plate is sold separately.
- For more information on installation, refer to the wall mount plate's installation guide.
- Be careful not to use excessive force when mounting the wall mount plate, as this can damage the monitor's screen.

Installing to a wall

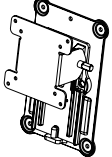
Install the monitor at least 3.94 inches away from the wall and leave about 3.94 inches of space at each side of the monitor to ensure sufficient ventilation. Detailed installation instructions can be obtained from your local retail store. Please refer to the manual to install and set up a tilting wall mounting bracket.



To install the monitor to a wall, attach a wall mounting bracket (optional) to the back of the monitor. Make sure that the wall mounting bracket is securely fixed to the monitor and to the wall.

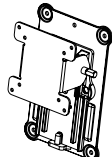
- 1 If you use screw longer than standard, the monitor might be damaged internally.
- 2 If you use improper screw, the product might be damaged and drop from mounted position. In this case, LG Electronics is not responsible for it.

29WK600

Wall Mount (A x B)	100 x 100
Standard screw	M4 x L10
Number of screws	4
Wall Mount Plate (Optional)	RW120 

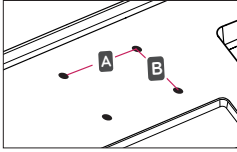
34WK650

34BK650

Wall Mount (A x B)	100 x 100
Standard screw	M4 x L10
Number of screws	4
Wall Mount Plate (Optional)	RW120 

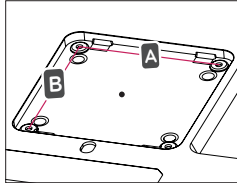
- Wall Mount (A x B)

29WK600



34WK650

34BK650

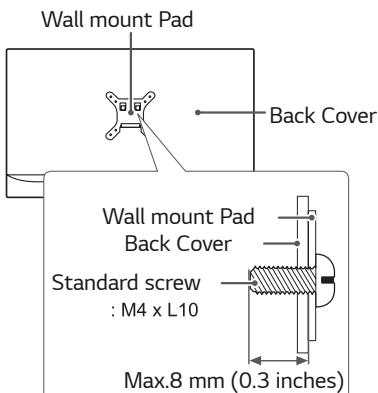


! NOTE

- Use the screws specified by the VESA standard.
- The wall mount kit includes the installation guide and all necessary parts.
- The wall mounting bracket is optional. The accessories can be purchased at your local retail store.
- The length of the screw may differ for each wall mounting bracket. Ensure the correct length screw is used.
- For more information, please refer to the user manual for the wall mounting bracket.

! CAUTION

- Unplug the power cord before moving or installing the monitor to avoid electric shocks.
- Installing the monitor on the ceiling or on a slanted wall may result in the monitor falling off, which could lead to injury. Please use the genuine LG wall mounting bracket. For more information, contact your local retail store or a qualified installer.
- Applying excessive force when fastening screws may cause damage to the monitor. Damage caused in this way will not be covered by the product warranty.
- Use the wall mounting bracket and screws that conform to the VESA standard. Damage caused by the use or misuse of inappropriate components will not be covered by the product warranty.
- Screw length from outer surface of back cover should be under 8 mm (0.3 inches).



USING THE MONITOR

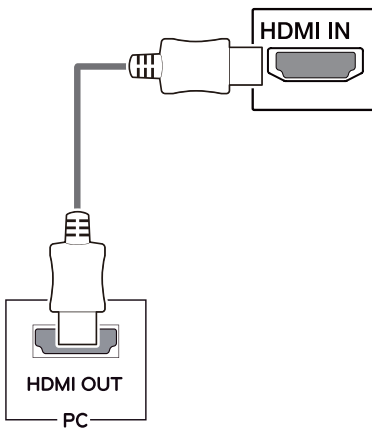
Connecting to a PC

- This monitor supports the *Plug and Play feature.
*Plug and Play: A feature that allows you to add a device to your computer without having to reconfigure anything or install any manual drivers.

HDMI connection

Transmits the digital video and audio signals from your PC and A/V devices to the monitor. Connect your PC and AV device to the monitor with the HDMI cable as illustrated below.

Press the menu button and then select the input option from the input menu.



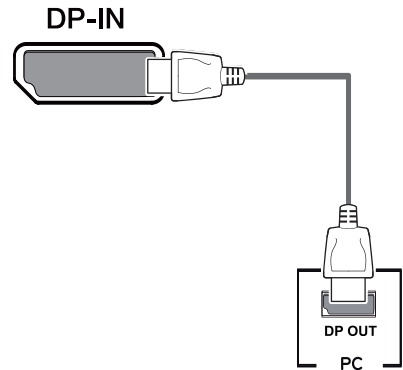
! NOTE

- If you use HDMI PC, it can cause compatibility problem.
- Use a certified cable with the HDMI logo attached. If you do not use a certified HDMI cable, the screen may not display or a connection error may occur.
- Recommended HDMI cable types
 - High-Speed HDMI[®]/TM Cable
 - High-Speed HDMI[®]/TM Cable with Ethernet

DisplayPort connection

Transmits the digital video and audio signals from your PC to the monitor. Connect your PC to the monitor using the DisplayPort cable as illustrated below.

Press the menu button and then select the input option from the input menu.



! NOTE

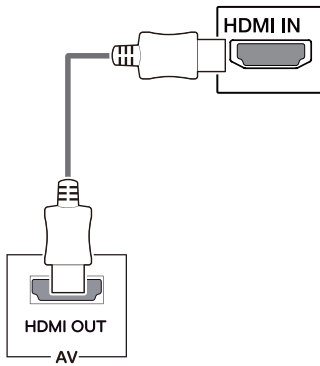
- There may be no video or audio output depending on the DP version of the PC.
- If you use generic cables not certified by LG, the screen may not display or there may be image noises.

Connecting to AV Devices

HDMI connection

Transmits the digital video and audio signals from your PC and A/V devices to the monitor. Connect your PC and AV device to the monitor with the HDMI cable as illustrated below.

Press the menu button and then select the input option from the input menu.



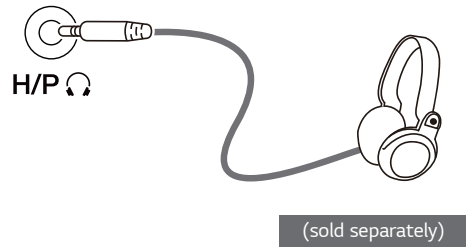
! NOTE

- Use a certified cable with the HDMI logo attached. If you do not use a certified HDMI cable, the screen may not display or a connection error may occur.
- Recommended HDMI cable types
 - High-Speed HDMI[®]/™ Cable
 - High-Speed HDMI[®]/™ Cable with Ethernet

Connecting to External Devices

Connecting Headphones

Connect peripherals to the monitor via the headphones port. Connect as illustrated.

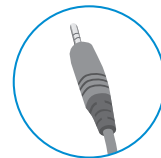


! NOTE

- Peripheral devices are sold separately.
- If you use angled earphones, it may cause a problem with connecting another external device to the monitor. Therefore, it is recommended to use straight earphones.



Angled



Straight

- Depending on the audio settings of the PC and external device, headphones and speaker functions may be limited.

USER SETTINGS

Activating the Main Menu

- 1 Press the joystick button on the bottom of the monitor.
- 2 Move the joystick up/down (▲/▼) and left/right (◀/▶) to set the options.
- 3 Press the joystick button once more to exit the main menu.



Button	Menu Status	Description
	Main menu disabled	Enables the main menu.
	Main menu enabled	Exits the main menu. (Holding down the button to turn off the monitor. You can turn off the monitor this way at any time, including when the OSD is on.)
	◀ Main menu disabled	Adjusts the monitor volume level.
	◀ Main menu enabled	Enters the Input feature.
	▶ Main menu disabled	Adjusts the monitor volume level.
	▶ Main menu enabled	Enters the Settings features.
	▲ Main menu disabled	Displays information on the current input.
	▲ Main menu enabled	Turns off the monitor.
	▼ Main menu disabled	Displays information on the current input.
	▼ Main menu enabled	Enters the Game features.

Main Menu Features



Main Menu	Description
Settings	Configures the screen settings.
Game	You can change Picture Mode to a gaming mode.
Input	Sets input mode.
Power Off	Turns off the monitor.
Exit	Exits the main menu.

User Settings

Menu Settings

- 1 To view the settings menu, press the joystick button at the bottom of the monitor and then enter the **Settings**.
- 2 Configure the options by moving the joystick up/down/left/right.
- 3 To return to the upper settings or set other settings items, move the joystick to ◀ or press (⏻).
- 4 If you want to exit the settings menu, move the joystick to ◀ until you exit.



Quick Settings



Input



Picture



Sound




General




CAUTION


- Your monitor's OSD (On Screen Display) may differ slightly from that shown in this manual.

Each option is described below.


Settings > Quick Settings	Description	
Brightness	Adjusts the color contrast and brightness of the screen.	
Contrast		
Volume	Adjusts the volume level.	
	 NOTE <ul style="list-style-type: none"> • You can adjust Mute / Unmute by moving the joystick button to ▼ in the Volume menu. 	
Color Temp	Custom	The user can adjust it to red, green, or blue by customization.
	Warm	Sets the screen color to a reddish tone.
	Medium	Sets the screen color between a red and blue tone.
	Cool	Sets the screen color to a bluish tone.
MaxxAudio	On	MaxxAudio® by Waves, recipient of a Technical GRAMMY Award® is a suite of studio-quality sound tools for a superior listening experience.
	Off	Disables the MaxxAudio function.


Settings > Input	Description	
Input List	Selects the input mode.	
Aspect Ratio	Adjusts the aspect ratio of the screen.	
	Full Wide	Displays the video in wide-screen, regardless of the video signal input.
	Original	Displays video according to the aspect ratio of the video signal input.
	Cinema1	Enlarges the screen with an aspect ratio of 21:9. (at 1080p)
	Cinema2	Enlarges the screen with an aspect ratio of 21:9, including the black box at the bottom for subtitles. (at 1080p)
		 NOTE <ul style="list-style-type: none"> • There is no Cinema1, Cinema2 settings on FreeSync Mode. (Go to Picture → Game Adjust → FreeSync, to set FreeSync On or Off)

Picture Mode on SDR(Non-HDR) signal.

Settings > Picture	Description	
Picture Mode	Custom	Allows the user to adjust each element. The color mode of the main menu can be adjusted.
	Reader	Optimizes the screen for viewing documents. You can brighten the screen in the settings menu.
	Photo	Optimizes the screen for photos.
	Cinema	Optimizes the screen for video.
	HDR Effect	Optimizes the screen for high dynamic range.
	Color Weakness	This mode is for users who cannot distinguish between red and green. It enables users with color weakness to easily distinguish between the two colors.
	FPS Game 1	This mode is optimized for FPS games.
	FPS Game 2	It has a higher Black Stabilizer value than FPS Game 1. It is suitable for very dark FPS games.
	RTS Game	This mode is optimized for RTS Game.
	Custom (Game)	In this mode, users can customize various elements including game-related options.
 NOTE <ul style="list-style-type: none"> • If the picture mode is changed the screen may flicker or the resolution of your PC screen may be affected. 		




Picture Mode on HDR signal.

Settings > Picture	Description	
Picture Mode	HDR Vivid	Optimized the screen for HDR vivid colors.
	HDR Standard	Optimized the screen for HDR.
	HDR Game	Optimized the screen for HDR Games.
	HDR Cinema	Optimized the screen for HDR video.
 NOTE <ul style="list-style-type: none"> • HDR content may not be operated properly depending on the Windows10 OS setting. Please check the HDR On / Off setting of Windows. • When the HDR function is turned on, the characters or picture quality may be poor according to Graphic card performance. • While the HDR function is on, screen flickering or cracking may occur when changing the monitor input or power on/off according to Graphic card performance. 		

Picture Adjust	Brightness	Adjusts the brightness of the screen.		
	Contrast	Adjusts the contrast of the screen.		
	Sharpness	Adjusts the sharpness of the screen.		
	SUPER RESOLUTION+	High	Optimized picture quality is displayed when a user wants crystal clear images. It is effective for high quality video or game.	
		Middle	The optimized picture quality is displayed when a user wants images between low and high modes for comfortable viewing. It is effective for UCC or SD video.	
		Low	The optimized picture quality is displayed when a user wants smooth and natural images. It is effective for slow-moving pictures or still images.	
		Off	Select this option for everyday viewing. SUPER RESOLUTION+ is turned off in this mode.	
	Black Level	Sets the offset level (for HDMI only). <ul style="list-style-type: none"> Offset: as a reference for a video signal, this is the darkest color the monitor can display. 		
		High	Keeps the current contrast ratio of the screen.	
		Low	Lowers the black levels and raises the white levels from the current contrast ratio of the screen.	
	DFC	On	Adjusts the brightness automatically according to the screen.	
Off		Disables the DFC feature.		
Game Adjust	Response Time	Sets a response time for displayed pictures based on the speed of the screen. For a normal environment, it is recommended that you use Fast . For a fast-moving picture, it is recommended that you use Faster . Setting to Faster may cause image sticking.		
		Faster	Sets the response time to Faster.	
		Fast	Sets the response time to Fast.	
		Normal	Sets the response time to Normal.	
		Off	Does not use the response time improvement feature.	
	FreeSync	Provides seamless and natural images by synchronizing the vertical frequency of the input signal with that of the output signal.		
		 CAUTION <ul style="list-style-type: none"> Supported Interface: DisplayPort,HDMI. Supported Graphic Card : A graphic card that supports AMD's FreeSync is necessary. Supported Version : Make sure to update the graphic card to the latest driver. For more information and requirement, refer to AMD website at http://www.amd.com/FreeSync 		
		On	FreeSync function on.	
Off	FreeSync function off.			

Game Adjust	Black Stabilizer	You can control the black contrast to have better visibility in dark scenes. Increasing the Black Stabilizer value brightens the low gray level area on the screen. (You can easily distinguish objects on dark game screens.) Reducing the Black Stabilizer value darkens the low gray level area and increases the dynamic contrast on the screen.	
	Cross Hair	Cross Hair provides a mark on the center of the screen for First Person Shooter (FPS) games. Users can select the cross hair that fits their gaming environment among four different cross hairs . <ul style="list-style-type: none"> When the monitor is off or enters energy saving mode, the Cross Hair feature is automatically turned Off. 	
Color Adjust	Gamma	Mode 1, Mode 2, Mode 3	The higher the gamma value, the darker the image becomes. Likewise, the lower the gamma value, the lighter the image becomes.
		Mode 4	If you do not need to adjust the gamma settings, select Mode 4.
		Color Temp	Custom
		Warm	Sets the screen color to a reddish tone.
		Medium	Sets the screen color between a red and blue tone.
		Cool	Sets the screen color to a bluish tone.
	Red	You can customize the picture color using Red, Green, and Blue colors.	
	Green		
	Blue		
	Six Color	Meets the user requirements for colors by adjusting the hue and saturation of the six colors (Red, Blue, Green, Cyan, Magenta and Yellow) and then saving the settings.	
	Hue	Adjusts the tone of the screen colors.	
	Saturation	Adjusts the saturation of the screen colors. The lower the value, the less saturated and brighter the colors become. The higher the value, the more saturated and darker the colors become.	
Picture Reset	Do you want to Picture reset your settings?		
	No	Cancel	
	Yes	Reset	

Settings > Sound	Description	
Volume	To adjust the Volume of headphone or speaker.	
MaxxAudio	On	MaxxAudio® by Waves, recipient of a Technical GRAMMY Award® is a suite of studio-quality sound tools for a superior listening experience.
	Off	Disables the MaxxAudio function.

Settings > General	Description	
Language	Sets the menu screen to the desired language.	
SMART ENERGY SAVING	High	Saves energy using the high-efficiency SMART ENERGY SAVING feature.
	Low	Saves energy using the low-efficiency SMART ENERGY SAVING feature.
	Off	Disables the SMART ENERGY SAVING feature.
Power LED	On	The power LED turns on.
	Off	The power LED turns off.
Automatic Standby	Feature that automatically turns off the monitor when there is no movement on the screen for a period of time. You can set a timer for the auto-off function. (Off, 4 H, 6 H, and 8 H)	
HDMI Compatibility Mode	HDMI Compatibility Mode feature can recognize the legacy equipment that does not support HDMI 2.0.	
	On	Enables HDMI Compatibility Mode .(HDMI Version 1.4)
	Off	Disables HDMI Compatibility Mode .(HDMI Version 2.0)
 NOTE <ul style="list-style-type: none"> • If the connected device does not support HDMI Compatibility Mode, the screen or sound may not work properly. • When HDMI Compatibility Mode is on, HDR function is not supported. • Some older graphics cards do not support HDMI 2.0, but you can select HDMI 2.0 resolution in the control panel of window. This may cause the screen to appear abnormally. 		
DisplayPort 1.2	Enable or Disable DisplayPort 1.2.	
 NOTE <ul style="list-style-type: none"> • Be sure to configure this option according to the DisplayPort version supported by your graphics card. Set this option to Disable if your graphics card does not support DisplayPort 1.2. 		
Buzzer	This feature lets you set the sound generated from Buzzer when your monitor powers on.	
	On	Enables your monitor's Buzzer .
	Off	Disables your monitor's Buzzer .
OSD Lock	This feature disables the configuration and adjustment of menus.	
	On	Enables OSD Lock.
	Off	Disables OSD Lock.
 NOTE <ul style="list-style-type: none"> • All features are disabled except Brightness, Contrast, Volume, Input, OSD Lock, Information. 		
Information	The display information will be shown the Model, Serial Number, Total Power On Time, Resolution.	
Reset	Do you want to reset your settings?	
	No	Cancel the select.
	Yes	Returns to the default settings.

 **NOTE**

- Saving Data depends on the Panel. These values vary by panel and vendor. If the option **SMART ENERGY SAVING** is set **High** or **Low**, then monitor luminance becomes higher or lower depending upon the source.

TROUBLESHOOTING

Nothing is displayed on the screen.	
Is the monitor's power cord plugged in?	<ul style="list-style-type: none"> • Check if the power cord is correctly plugged into the power outlet. • Test the Power Plug using a lamp or other device.
Is the power LED on?	<ul style="list-style-type: none"> • Check the power cable connection and press the power button.
Is the power on and the power LED displaying white?	<ul style="list-style-type: none"> • Check that the connected input is enabled (Settings > Input > Input list).
Is the power LED blinking?	<ul style="list-style-type: none"> • If the monitor is in sleep mode, move the mouse, or press any key on the keyboard, to switch the display on. • Check if the computer is turned on.
Is the OUT OF RANGE message being displayed?	<ul style="list-style-type: none"> • This occurs when signals transferred from the PC (graphics card) are out of the horizontal or vertical frequency range of the monitor. Please see the Product Specification section of this manual to set the appropriate frequency.
Is the No Signal message being displayed?	<ul style="list-style-type: none"> • This is displayed when the signal cable between the PC and the monitor is missing or disconnected. Check the cable and reconnect it.

The OSD lock message is being displayed.	
Are some functions not available when you press the Menu button?	<ul style="list-style-type: none"> • The OSD is locked. Go to Settings > General and set OSD Lock to Off.

The screen retains an image.	
Does image sticking occur even when the monitor is turned off?	<ul style="list-style-type: none"> • Displaying a still image for a prolonged time may cause damage to the screen, resulting in the retention of the image. • To extend the lifetime of the monitor, use a screensaver.

Screen display is unstable and shaky / Images displayed on the monitor leave shadow trails.	
Did you select the appropriate resolution?	<ul style="list-style-type: none"> • If the selected resolution is HDMI 1080i 60/50 Hz (interlaced), the screen may be flickering. Change the resolution to 1080P or the recommended resolution.

NOTE

- **Vertical frequency** In order to display an image, the screen must be refreshed dozens of times per second, like a fluorescent lamp. The number of times the screen is refreshed per second is called vertical frequency, or refresh rate, and is represented by Hz.
- **Horizontal frequency** The time it takes to display one horizontal line is called the horizontal cycle. If 1 is divided by the horizontal interval, the result is the number of horizontal lines displayed per second. This is called horizontal frequency and is represented by kHz.
- LED can be lighted with Set OSD Menu.
Settings > General > Power LED > On

 **NOTE**

- Check if the graphics card's resolution or frequency is within the range allowed by the monitor and set it to the recommended (optimal) resolution in **Control Panel > Display > settings**.
- Not setting the graphics card to the recommended (optimal) resolution may result in blurred text, a dimmed screen, a truncated display area, or misalignment of the display.
- The setting methods may be different depending on the computer or operating system, and some resolutions may not be available depending on the performance of the graphics card. If this is the case, contact the manufacturer of the computer or graphics card for assistance.
- Some graphics cards may not support 2560×1080 resolution. If the resolution cannot be displayed, contact the manufacturer of your graphics card.

The display color is abnormal.	
Does the display appear discolored (16 colors)?	<ul style="list-style-type: none"> • Set the color to 24 bit (true color) or higher. In Windows, go to Control Panel > Display > Settings > Color Quality.
Does the display color appear unstable or monochrome?	<ul style="list-style-type: none"> • Check if the signal cable is connected properly. Reconnect the cable or reinsert the PC's graphics card.
Are there spots on the screen?	<ul style="list-style-type: none"> • When using the monitor, pixilated spots (red, green, blue, white, or black) may appear on the screen. This is normal for an LCD screen. It is not an error, nor is it related to the monitor's performance.

Do you see an "Unrecognized monitor, Plug&Play (VESA DDC) monitor found" message?	
Have you installed the display driver?	<ul style="list-style-type: none"> • Be sure to install the display driver from the display driver CD (or diskette) that comes with your display. Or, you can also download the driver from our web site: http://www.lg.com. • Make sure to check if the video card supports Plug&Play function.

No sound from the headphone port or speaker.	
Are images displayed using DisplayPort or HDMI input without sound?	<ul style="list-style-type: none"> • Try increasing the volume using the button on the monitor. • Set the audio output of the PC to the monitor you are using. On Microsoft Windows, go to Control Panel > Hardware and Sound > Sound > set the monitor as default device.

SPECIFICATIONS

29WK600

LCD Screen	Type	TFT (Thin Film Transistor) LCD (Liquid Crystal Display) Screen
	Pixel Pitch	0.2628 mm x 0.2628 mm
Resolution	Maximum Resolution	2560×1080 @ 75 Hz
	Recommended Resolution	2560×1080 @ 60 Hz
Video Signal	Horizontal Frequency	30 kHz to 90 kHz
	Vertical Frequency	56 Hz to 75 Hz
Input Connector	HDMI IN1, HDMI IN2, DP(DisplayPort) IN, H/P(Headphone) OUT	
Power input	19 V --- 3.3 A	
Power consumption (Typ.)	On mode: 20.5 W Typ. (ENERGY STAR® standard)* 32 W Typ. (Outgoing condition)** Sleep Mode ≤ 0.5 W Off Mode ≤ 0.3 W	
AC/DC adaptor	Type DA-65G19, Asian Power Devices Inc. production Or type LCAP39, LIEN CHANG ELECTRONIC ENTERPRISE production Output: 19 V --- 3.42 A	
Environmental Conditions	Operating Condition	Temperature: 0°C to 40°C; Humidity: < 80%
	Storing Condition	Temperature: -20°C to 60°C; Humidity: < 85%
Dimension	Monitor Size (Width x Height x Depth)	
	With Stand	698.1 x 410.9 x 209.4 (mm) 27.4 x 16.1 x 8.2 (inches)
	Without Stand	698.1 x 317.5 x 76.9 (mm) 27.4 x 12.5 x 3.0 (inches)
Weight (Without Packaging)	With Stand	5.2 kg (11.4 lbs)
	Without Stand	4.7 kg (10.3 lbs)

The specifications are subject to change without notice.

* The power consumption level can be different by operating condition and monitor setting.

* The On mode power consumption is measured with ENERGY STAR® test standard.

** The On mode power consumption is measured with LGE test standard (Full White pattern , Maximum resolution).

SPECIFICATIONS

34WK650/34BK650

LCD Screen	Type	TFT (Thin Film Transistor) LCD (Liquid Crystal Display) Screen
	Pixel Pitch	0.312 mm x 0.310 mm
Resolution	Maximum Resolution	2560×1080 @ 75Hz
	Recommended Resolution	2560×1080 @ 60Hz
Video Signal	Horizontal Frequency	30 kHz to 90 kHz
	Vertical Frequency	56 Hz to 75 Hz
Input Connector	HDMI IN1, HDMI IN2, DP(DisplayPort) IN, H/P(Headphone) OUT	
Power input	19 V --- 3.3 A	
Power consumption (Typ.)	On mode: 28 W Typ. (ENERGY STAR® standard)* 42 W Typ. (Outgoing condition)** Sleep Mode ≤ 0.5 W Off Mode ≤ 0.3 W	
AC/DC adaptor	Type DA-65G19, Asian Power Devices Inc. production Or type LCAP39, LIEN CHANG ELECTRONIC ENTERPRISE production Output: 19 V --- 3.42 A	
Environmental Conditions	Operating Condition	Temperature: 0°C to 40°C; Humidity: < 80%
	Storing Condition	Temperature: -20°C to 60°C; Humidity: < 85%
Dimension	Monitor Size (Width x Height x Depth)	
	With Stand	825.6 x 570.7 x 230.0 (mm) 32.5 x 22.4 x 9.0 (inches)
	Without Stand	825.6 x 369.8 x 51.2 (mm) 32.5 x 14.5 x 2.0 (inches)
Weight (Without Packaging)	With Stand	7.6 kg (16.7 lbs)
	Without Stand	5.9 kg (13.0 lbs)

The specifications are subject to change without notice.

* The power consumption level can be different by operating condition and monitor setting.

* The On mode power consumption is measured with ENERGY STAR® test standard.

** The On mode power consumption is measured with LGE test standard (Full White pattern, Maximum resolution).

Factory Support Mode (Preset Mode, PC)

HDMI / DP Timing (PC)

Resolution (HDMI / DP)	Horizontal Frequency(kHz)	Vertical Frequency(Hz)	Polarity(H/V)	Remarks
640 x 480	31.469	59.94	-/-	
640 x 480	37.5	75	-/-	
800 x 600	37.879	60.317	+/+	
800 x 600	46.875	75	+/+	
1024 x 768	48.363	60	-/-	
1024 x 768	60.123	75.029	+/+	
1152 x 864	53.697	60	-/+	
1280 x 720	45	60	+/+	
1280 x 1024	63.981	60.02	+/+	
1280 x 1024	79.976	75.025	+/+	
1600 x 900	60	60	+/+	
1680 x 1050	65.29	59.954	-/+	
1920 x 1080	67.5	60	+/-	
2560 x 1080	66.636	59.98	-/+	
2560 x 1080	83.915	74.99	-/+	

HDMI Timing (Video)

Factory support mode (Preset Mode)	Horizontal Frequency(kHz)	Vertical Frequency(Hz)	Remarks
480p	31.5	60	
576P	31.25	50	
720p	37.5	50	
720p	45.0	60	
1080p	56.25	50	
1080p	67.5	60	
2160p	112.5	50	
2160p	135	60	

Power LED

Mode	LED Color
On Mode	White (For a few seconds)
Sleep Mode	Off
Off Mode	Off



To obtain the source code under GPL, LGPL, MPL, and other open source licenses, that is contained in this product, please visit <http://opensource.lge.com>. In addition to the source code, all referred license terms, warranty disclaimers and copyright notices are available for download. LG Electronics will also provide open source code to you on CD-ROM for a charge covering the cost of performing such distribution (such as the cost of media, shipping, and handling) upon email request to opensource@lge.com. This offer is valid for three (3) years from the date on which you purchased the product.

Declaration of Conformity

Trade Name: LG
Model : 29WK600,34WK650,34BK650
Responsible Party: LG Electronics Inc.
Address : 1000 Sylvan Ave. Englewood Cliffs
NJ 07632 U.S.A
TEL: 201-266-2534

*above information is only for USA FCC Regulatory

This device meets the EMC requirements for home appliances (Class B) and is intended for home usage. This device can be used in all regions. Read the owner's manual (CD) carefully and keep it at hand. Please note that the label attached to the product provides information for technical support.

MODEL _____
SERIAL _____

ENERGY STAR is a set of power-saving guidelines issued by the U.S. Environmental Protection Agency(EPA).



As an ENERGY STAR Partner LGE U. S. A.,Inc. has determined that this product meets the ENERGY STAR guidelines for energy efficiency.

Refer to ENERGY STAR.gov for more information on the ENERGY STAR program.

Monitor Table Stand

EN Read the entire instruction manual before you start installation and assembly. If you have any questions regarding any of the instructions or warnings, please contact your local distributor for assistance.

- CAUTION:** Use with products heavier than the rated weights indicated may result in instability causing possible injury.
- Mounts must be attached as specified in assembly instructions. Improper installation may result in damage or serious personal injury.
- Safety gear and proper tools must be used. This product should only be installed by professionals.
- Make sure that the supporting surface will safely support the combined weight of the equipment and all attached hardware and components.
- Use the mounting screws provided and DO NOT OVER TIGHTEN mounting screws.
- This product contains small items that could be a choking hazard if swallowed. Keep these items away from children.
- This product is intended for indoor use only. Using this product outdoors could lead to product failure and personal injury.

IMPORTANT: Ensure that you have received all parts according to the component checklist prior to installation. If any parts are missing or faulty, telephone your local distributor for a replacement.
MAINTENANCE: Check that the bracket is secure and safe to use at regular intervals (at least every three months).

DE Bitte vor Beginn der Montage und Zusammenbau das ganze Handbuch durchlesen. Bitte sich mit dem Händler vor Ort bei Fragen zur Anleitung oder Warnungen in Verbindung setzen.

- VORSICHT:** Bei Verwendung mit Produkten, die das zulässige Gewicht überschreiten, können Schäden oder möglicherweise Verletzungen die Folge sein.
- Halterungen sollen entsprechend den Montageanweisungen angebracht werden. Eine unsachgemäße Montage kann Schäden oder Verletzungen zur Folge haben.
- Sicherheitsausrüstung und geeignete Werkzeuge verwenden. Die Montage des Produktes sollte nur von Fachleuten durchgeführt werden.
- Die tragenden Oberflächen sollten das gesamte Gewicht von Geräten und allen zusätzlichen Bauteilen sicher aushalten können.
- Nur die mitgelieferten Einbauschrauben verwenden und die Schrauben NICHT ZU FEST ANZIEHEN.
- Dieses Produkt enthält Kleinteile, die Erstickungsgefahr beim Verschlucken hervorrufen können. Diese Teile von Kindern fernhalten.
- Dieses Produkt nur in Innenräumen verwenden. Verwendung des Produktes im Außenbereich kann zu Verletzungen und Schäden führen.

WICHTIG: Vor der Montage bitte alle erhaltenen Bauteile mit der Bauteilliste abgleichen. Bei beschädigten oder fehlenden Teilen den Händler vor Ort nach Ersatzteilen fragen.
WARTUNG: Die Halterungsklammer regelmäßig auf Sicherheit und Stabilität prüfen (am besten alle drei Monate).

FR Lisez entièrement le guide d'utilisateur avant de commencer l'installation et le montage. Si vous avez des questions concernant les instructions ou les avertissements, veuillez contacter votre distributeur local pour une assistance.

- ATTENTION:** L'utilisation de produits plus lourds que les poids nominaux indiqués peut entraîner une instabilité causant des blessures potentielles.
- Les supports doivent être joints comme spécifié dans les instructions de montage. Une mauvaise installation peut entraîner des dommages ou de graves blessures aux personnes.
- Un équipement de sécurité et les outils appropriés doivent être utilisés. Ce produit devrait être installé uniquement par des professionnels.
- Assurez-vous que la surface de soutien supporte en sécurité le poids combiné de l'équipement et de tous les matériaux et composants associés.
- Utilisez les vis de montage fournies et NE SERREZ PAS TROP les vis de montage.
- Ce produit contient de petites pièces qui peuvent causer un étouffement si elles sont avalées. Éloignez ces pièces des enfants.
- Ce produit est prévu uniquement pour une utilisation à l'intérieur. L'utilisation de ce produit à l'extérieur peut entraîner une défaillance du produit ou des blessures aux personnes.

IMPORTANT: Avant l'installation, assurez-vous que vous avez reçu toutes les pièces selon la liste de vérification des composants. Si une pièce est manquante ou endommagée, téléphonez à votre distributeur local pour qu'il la remplace.
MAINTENANCE: A intervalles réguliers (au moins tous les trois mois) vérifiez que le support est d'utilisation sûre et fiable.

RU Перед началом установки и сборки прочитайте руководство по установке. Если у Вас возникли какие-либо вопросы относительно инструкций или предупреждений, свяжитесь с Вашим местным распространителем для получения помощи.

- Внимание:** Использование продуктов, вес которых превышает указанный расчетный вес, может привести к нестабильности и возможным повреждениям.
- Опоры должны быть установлены, как это показано в монтажных инструкциях. Неправильная установка может привести к получению серьезных травм.
- Необходимо использовать предохранительное устройство и специальные инструменты. Продукт должен устанавливаться только профессионалами.
- Убедитесь, что несущая поверхность выдержит вес оборудования и всего установленного оборудования и комплектующих.
- Необходимо использовать шурупы в комплекте установки и НЕ ПЕРЕТЯГИВАТЬ установочные шурупы.
- Данный продукт содержит маленькие детали, которые представляют опасность удушья при проглатывании. Такие детали необходимо хранить в недоступном для детей месте.
- Данный продукт предназначен только для эксплуатации в помещениях. Использование данного продукта на улице может привести к поломке продукта и получению травм.

ВАЖНО: Перед установкой убедитесь, что Вы получили все детали в соответствии со списком комплектующих. Если не хватает каких-либо деталей или они повреждены, свяжитесь с Вашим местным распространителем по вопросу замены.
ТЕХНИЧЕСКОЕ ОБСЛУЖИВАНИЕ: Необходимо регулярно проверять (как минимум, раз в три месяца), чтобы кронштейн был зафиксирован, и его использование было безопасным.

ES Lea todo el manual de instrucciones antes de comenzar la instalación y ensamble de la unidad. Si tiene alguna inquietud con respecto a las instrucciones o advertencias, comuníquese con su distribuidor local.

- PRECAUCIÓN:** utilizar con productos de mayor peso al indicado en los límites de peso podría ocasionar inestabilidad y posibles heridas personales.
- Los soportes deben acoplarse tal como se indica en las instrucciones de ensamble. Una incorrecta instalación podría ocasionar daños y serias heridas personales.
- Utilice las herramientas y equipo de seguridad adecuados. Este producto solo debe ser instalado por profesionales.
- Asegúrese de que la superficie de fijación sostenga de manera segura el peso total del equipo y todos sus componentes y hardware.
- Utilice los tornillos de ensamble suministrados y NO aplique demasiada tensión a los tornillos.
- Este producto contiene piezas pequeñas que representan un riesgo de asfixia. Mantenga estas piezas fuera del alcance de los niños.
- Este producto está diseñado para uso en interiores solamente. Utilizar este producto en exteriores podría ocasionar fallas y heridas personales.

IMPORTANTE: Asegúrese de que haya recibido todas las piezas según la lista de verificación de componentes para la instalación. Si falta alguna de las partes, o está dañada, comuníquese con su distribuidor.
MANTENIMIENTO: Compruebe periódicamente que el soporte esté asegurado y listo para usar (al menos cada tres meses).

PT Leia todo o manual de instruções antes de iniciar a instalação e montagem. Se você tiver alguma dúvida sobre quaisquer uma das instruções ou avisos, por favor, entre em contato com o seu distribuidor local para assistência.

- ATENÇÃO:** O uso com produtos mais pesados do que os pesos indicados pode resultar em instabilidade, causando possíveis danos.
- Os suportes devem ser anexados como especificado nas instruções de montagem. A instalação incorreta pode causar danos ou sérias lesões pessoais.
- Equipamentos de segurança e ferramentas adequadas devem ser utilizadas. Este produto só deve ser instalado por profissionais.
- Certifique-se que a superfície de suporte suportará com segurança o peso combinado do equipamento e todas as ferragens e componentes anexados.
- Use os parafusos de montagem fornecidos e NÃO APERTE EXCESSIVAMENTE os mesmos.
- Este produto contém pequenas peças que podem causar asfixia se ingeridas. Mantenha esses itens longe do alcance de crianças.
- Este produto destina-se somente para uso interno. Usá-lo em ambiente externo pode causar falhas no produto e lesões pessoais.

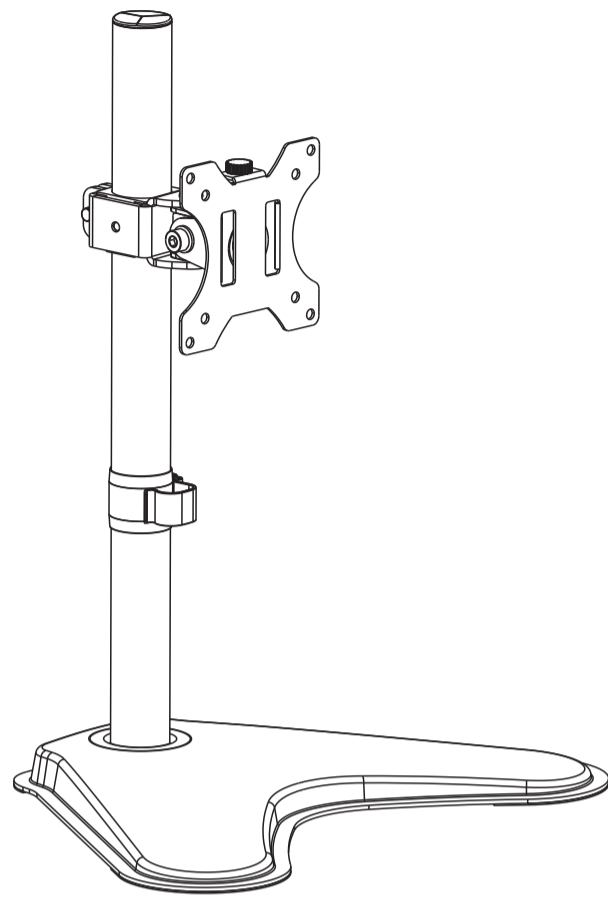
IMPORTANTE: Asegure-se que você recebeu todas as peças, de acordo com a lista de componentes, antes da instalação. Se alguma peça estiver faltando ou é defeituosa, contate o seu distribuidor local para substituição.
MANUTENÇÃO: Certifique-se que o suporte seja seguro e protegido para o uso em intervalos regulares (pelo menos a cada três meses).

AR الرجاء قراءة دليل الإرشادات بالكامل قبل البدء في التركيب والتجميع. إذا كانت توجد لديك أي استفسارات بشأن أي من الإرشادات أو التحذيرات، فارجاء الاتصال بموزع المنتج لديك لتطلب المساعدة.

- تحذير: قد يؤدي استخدام هذا المنتج مع منتجات ذات أوزان أكبر من الأوزان المسموحة المشار إليها إلى حدوث اختلال قد يهدم عن التعرض لإصابة.
- يجب ربط الحوامل كما هو موضح في إرشادات التجميع. قد يؤدي تركيب الحامل بشكل غير صحيح إلى حدوث تلف أو التعرض لإصابة شخصية خطيرة.
- يجب استخدام معدات السلامة والأدوات المناسبة. يجب تركيب هذا المنتج فقط بمعرفة أشخاص مختصين.
- تأكد من أن السطح الداعم يستحمل كل أوزان المعدات علاوة على وزن الأجهزة والمكونات الملحقة بها.
- استخدم مسامير التركيب المولدة المرفقة ولا تفرط في إحكام ربطها.
- يحتوي هذا المنتج على عناصر صغيرة قد يؤدي ابتلاعها إلى الإصابة بالاختناق. احفظ هذه العناصر بعيداً.
- هذا المنتج مخصص للاستخدام المنزلي فقط. قد يؤدي استخدام هذا المنتج خارج المنزل إلى تطله أو حدوث إصابة شخصية.
- هذه المنتجات من أن جميع المكونات التي تحتوي عليها قائمة المكونات مرفقة مع المنتج قبل البدء في التركيب. إذا كانت توجد هناك أي مكونات مفقودة أو معيبة، فارجاء الاتصال بموزع المنتج لديك للحصول على بديل لها.
- الصيانة: يتحقق أن السناد محكم وآمن لاستخدامه على فترات منتظمة (على الأقل كل ثلاثة شهور).

JA 設置や組立てを始める前に、すべての取扱説明書をご一読ください。取扱説明書または警告に関してご不明な点がございましたら、お住まいの地域の代理店までお問い合わせください。

- 注意:** 定格可搬より重い製品の使用は、不安定な状態になり傷害を引き起こす恐れがあります。
- マウントは組立の取扱説明書の指示に従って取り付けください。不適切な取り付けにより、損傷や重大な身体傷害を引き起こす恐れがあります。
- 安全装置および適切な道具をご確認ください。本製品は専門の知識を有する人が設置を行うてください。
- 支持面が設備およびすべての付属のハードウェアの総重量とコンポーネントを安全に支えるようにしてください。
- 提供された取り付けネジを使用し、ネジを決して締めすぎないようにしてください。
- 本製品には飲み込んだら窒息する危険性のあ地小型製品が含まれています。小さなお子様の手の届かない場所に保管してください。
- 本製品は屋内使用のみを目的としています。本製品を屋外で使用すると、製品の不具合や身体傷害を導く恐れがあります。
- 重要:** 設置に先立って、構成要素がチェックリストに従って完全に元の状態にあるかご確認ください。
- 部品が見当たらない場合や欠陥品の場合は、交換のにあたり、お住まいの地域の代理店までお電話でご連絡ください。
- 保守管理:** ブラケットは安全に使用するため、定期的(少なくとも3ヵ月毎に)チェックしてください。



SBRM710



75x75
100x100

